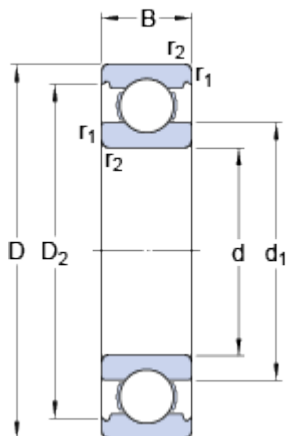


6007

SKF Explorer

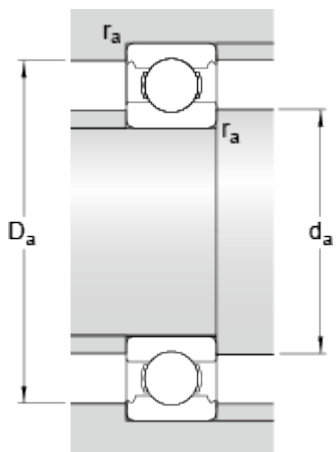
carrie
 skype:carrie9206
 whatsapp:(86)15668368510
 wechat:15668368510
 mail:carrie@okbearing.com

Dimensions



d	35	mm
D	62	mm
B	14	mm
d ₁	≈ 43.75	mm
D ₂	≈ 55.61	mm
r _{1,2}	min. 1	mm

Abutment dimensions



d _a	min. 39.6	mm
D _a	max. 57.4	mm
r _a	max. 1	mm

Calculation data

Basic dynamic load rating	C	16.8	kN
Basic static load rating	C ₀	10.2	kN
Fatigue load limit	P _u	0.44	kN
Reference speed		24000	r/min
Limiting speed		15000	r/min
Calculation factor	k _r	0.025	
Calculation factor	f ₀	15	

Mass

Mass bearing		0.15	kg
--------------	--	------	----