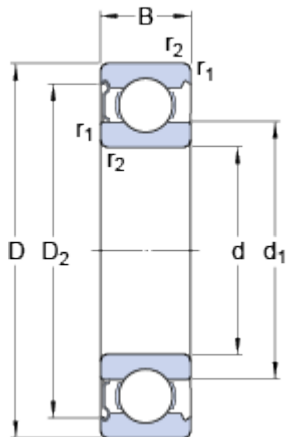


627-Z

SKF Explorer

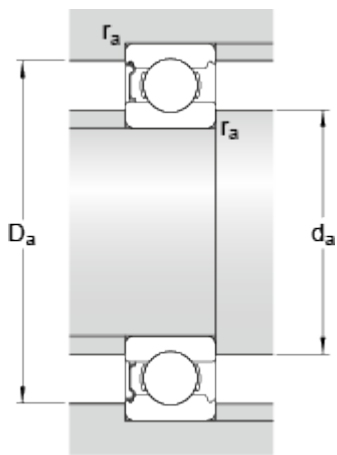
carrie
 skype:carrie9206
 whatsapp/wechat:(86)15668368510
 mail:carrie@okbearing.com
 www.importbearing.ru
 www.okbearing.com

Dimensions



d	7	mm
D	22	mm
B	7	mm
d ₁	≈ 12.15	mm
D ₂	≈ 19.2	mm
r _{1,2}	min. 0.3	mm

Abutment dimensions



d _a	min. 9.4	mm
d _a	max. 12.1	mm
D _a	max. 19.6	mm
r _a	max. 0.3	mm

Calculation data

Basic dynamic load rating	C	3.45	kN
Basic static load rating	C ₀	1.37	kN
Fatigue load limit	P _u	0.057	kN
Reference speed		70000	r/min
Limiting speed		45000	r/min
Calculation factor	k _r	0.025	
Calculation factor	f ₀	12	

Mass

Mass bearing		0.013	kg
--------------	--	-------	----