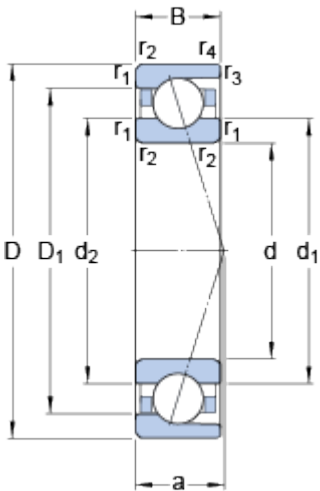


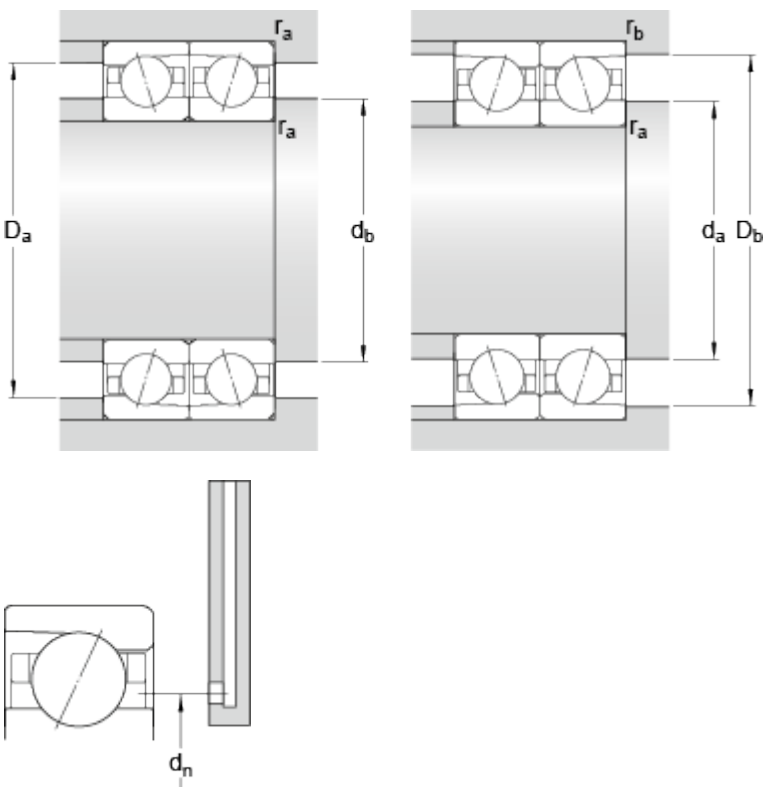
7005 CD/P4A

Dimensions



d	25	mm
D	47	mm
B	12	mm
d ₁	32.1	mm
d ₂	32.1	mm
D ₁	39.9	mm
r _{1,2}	min. 0.6	mm
r _{3,4}	min. 0.3	mm
a	10.9	mm

Abutment dimensions



d _a	min. 28.2	mm
d _b	min. 28.2	mm
D _a	max. 43.8	mm
D _b	max. 45	mm
r _a	max. 0.6	mm
r _b	max. 0.3	mm
d _n	33.4	mm

Calculation data

Basic dynamic load rating	C	9.56	kN
Basic static load rating	C ₀	5.2	kN
Fatigue load limit	P _u	0.22	kN
Attainable speed for grease lubrication		36000	r/min
Attainable speed for oil-air lubrication		56000	r/min
Ball diameter	D _w	6.35	mm
Number of balls	z	14	

Reference grease quantity	G_{ref}	1.02	cm ³
Preload and stiffness (back-to-back, face-to-face)			
Preload class A	G_A	35	N
Static axial stiffness, preload class A		25	N/μm
Preload class B	G_B	70	N
Static axial stiffness, preload class B		33	N/μm
Preload class C	G_C	140	N
Static axial stiffness, preload class C		46	N/μm
Preload class D	G_D	280	N
Static axial stiffness, preload class D		64	N/μm

Calculation factors

Calculation factor	f	1.05
Calculation factor	f_1	1
Calculation factor	f_{2A}	1
Calculation factor	f_{2B}	1.02
Calculation factor	f_{2C}	1.05
Calculation factor	f_{2D}	1.09
Calculation factor	f_{HC}	1
Calculation factor	f_0	9.6

Mass

Mass bearing	0.079	kg
--------------	-------	----