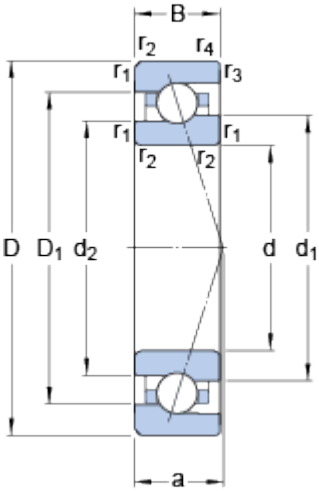


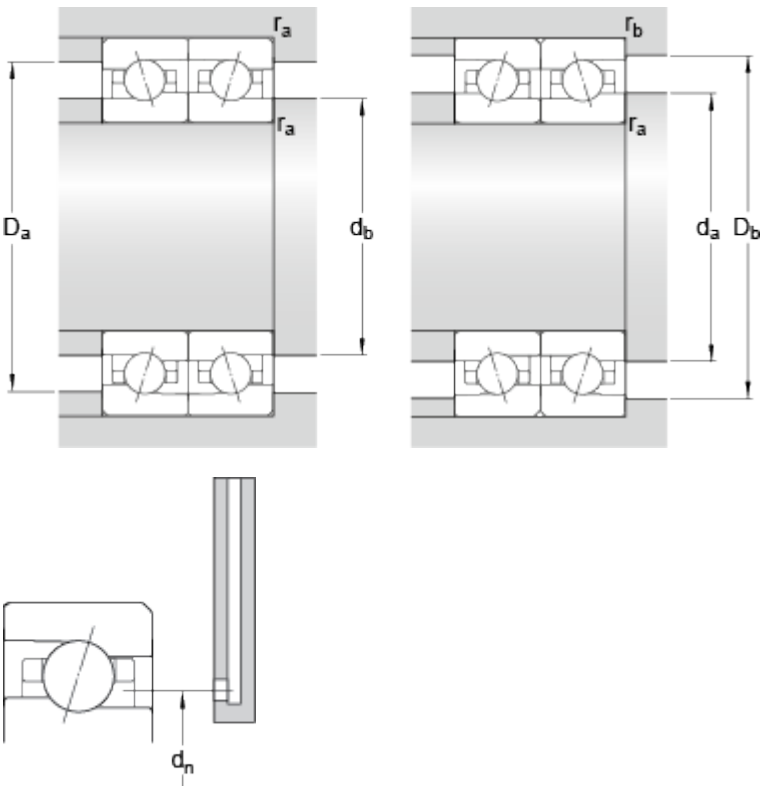
7012 CE/P4A

Dimensions



d	60	mm
D	95	mm
B	18	mm
d_1	72.74	mm
d_2	70.6	mm
D_1	82.22	mm
$r_{1,2}$	min. 1.1	mm
$r_{3,4}$	min. 0.6	mm
a	19.5	mm

Abutment dimensions



d_a	min. 66	mm
d_b	min. 66	mm
D_a	max. 89	mm
D_b	max. 90.8	mm
r_a	max. 1	mm
r_b	max. 0.6	mm
d_n	74.6	mm

Calculation data

Basic dynamic load rating	C	17.2	kN
Basic static load rating	C_0	12.9	kN
Fatigue load limit	P_u	0.54	kN
Attainable speed for grease lubrication		20000	r/min
Attainable speed for oil-air lubrication		31000	r/min
Ball diameter	D_w	7.938	mm
Number of balls	z	25	

Reference grease quantity	G_{ref}	5.3	cm ³
Preload and stiffness (back-to-back, face-to-face)			
Preload class A	G_A	92	N
Static axial stiffness, preload class A		48	N/μm
Preload class B	G_B	275	N
Static axial stiffness, preload class B		75	N/μm
Preload class C	G_C	550	N
Static axial stiffness, preload class C		101	N/μm

Calculation factors

Calculation factor	f	1.08	
Calculation factor	f_1	1	
Calculation factor	f_{2A}	1	
Calculation factor	f_{2B}	1.03	
Calculation factor	f_{2C}	1.05	
Calculation factor	f_{HC}	1	
Calculation factor	f_0	8.5	

Mass

Mass bearing	0.42	kg
--------------	------	----