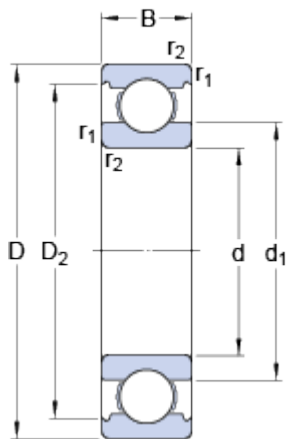


# 6015

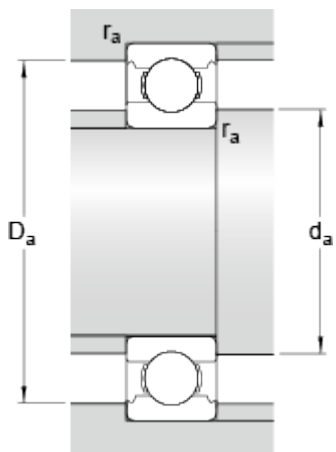
SKF Explorer

## Dimensions



d	75	mm
D	115	mm
B	20	mm
d <sub>1</sub>	≈ 87.85	mm
D <sub>2</sub>	≈ 104.9	mm
r <sub>1,2</sub>	min. 1.1	mm

## Abutment dimensions



d <sub>a</sub>	min. 81	mm
D <sub>a</sub>	max. 109	mm
r <sub>a</sub>	max. 1	mm

## Calculation data

Basic dynamic load rating	C	41.6	kN
Basic static load rating	C <sub>0</sub>	33.5	kN
Fatigue load limit	P <sub>u</sub>	1.43	kN
Reference speed		12000	r/min
Limiting speed		7500	r/min
Calculation factor	k <sub>r</sub>	0.025	
Calculation factor	f <sub>0</sub>	15.8	

## Mass

Mass bearing		0.65	kg
--------------	--	------	----