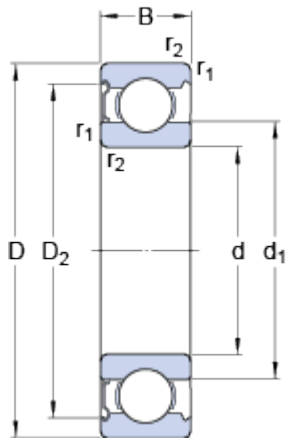


# 6201-Z

SKF Explorer

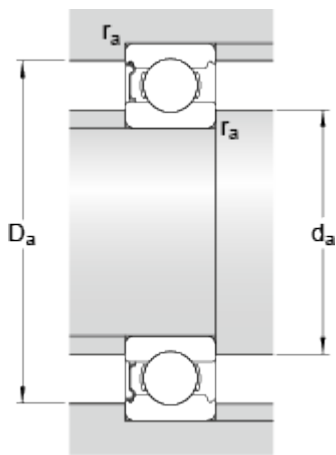
carrie  
 skype:carrie9206  
 whatsapp/wechat:(86)15668368510  
 mail:carrie@okbearing.com  
 www.importbearing.ru  
 www.okbearing.com

## Dimensions



d	12	mm
D	32	mm
B	10	mm
d <sub>1</sub>	≈ 18.45	mm
D <sub>2</sub>	≈ 27.34	mm
r <sub>1,2</sub>	min. 0.6	mm

## Abutment dimensions



d <sub>a</sub>	min. 16.2	mm
d <sub>a</sub>	max. 18.4	mm
D <sub>a</sub>	max. 27.8	mm
r <sub>a</sub>	max. 0.6	mm

## Calculation data

Basic dynamic load rating	C	7.28	kN
Basic static load rating	C <sub>0</sub>	3.1	kN
Fatigue load limit	P <sub>u</sub>	0.132	kN
Reference speed		50000	r/min
Limiting speed		32000	r/min
Calculation factor	k <sub>r</sub>	0.025	
Calculation factor	f <sub>0</sub>	12	

## Mass

Mass bearing		0.038	kg
--------------	--	-------	----