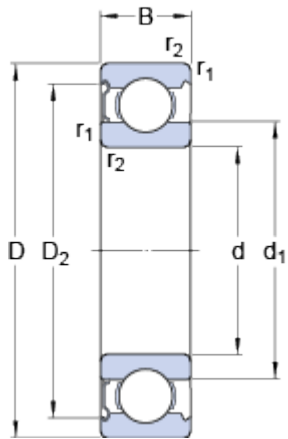


# 6202-Z

SKF Explorer

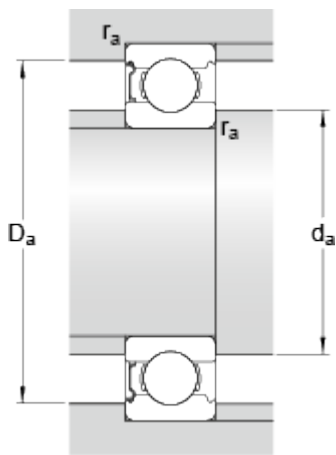
carrie  
 skype:carrie9206  
 whatsapp/wechat:(86)15668368510  
 mail:carrie@okbearing.com  
 www.importbearing.ru  
 www.okbearing.com

## Dimensions



d	15	mm
D	35	mm
B	11	mm
d <sub>1</sub>	≈ 21.7	mm
D <sub>2</sub>	≈ 30.5	mm
r <sub>1,2</sub>	min. 0.6	mm

## Abutment dimensions



d <sub>a</sub>	min. 19.2	mm
d <sub>a</sub>	max. 21.6	mm
D <sub>a</sub>	max. 30.8	mm
r <sub>a</sub>	max. 0.6	mm

## Calculation data

Basic dynamic load rating	C	8.06	kN
Basic static load rating	C <sub>0</sub>	3.75	kN
Fatigue load limit	P <sub>u</sub>	0.16	kN
Reference speed		43000	r/min
Limiting speed		28000	r/min
Calculation factor	k <sub>r</sub>	0.025	
Calculation factor	f <sub>0</sub>	13	

## Mass

Mass bearing	0.046	kg
--------------	-------	----